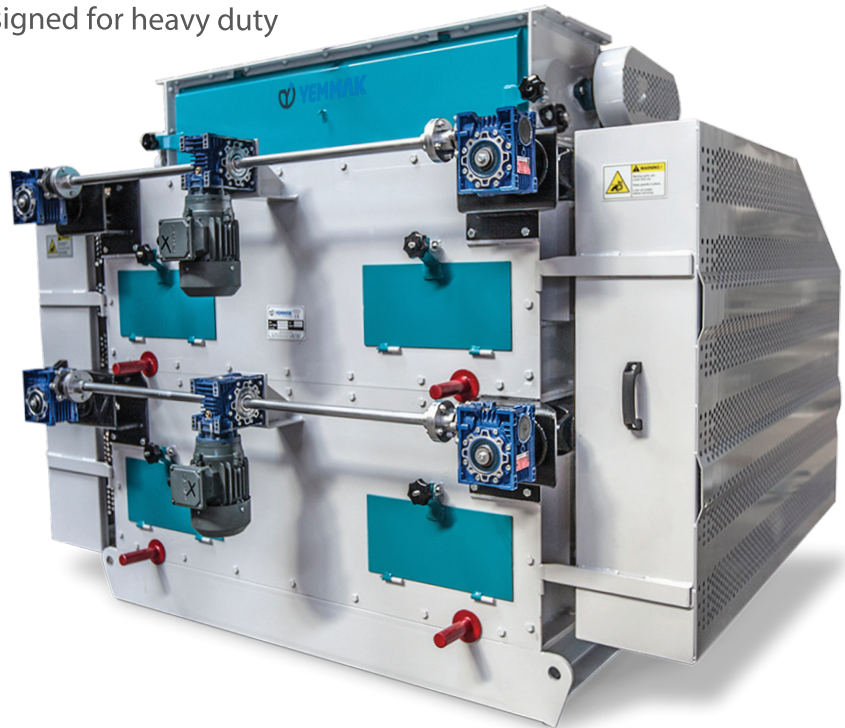


# ROLLER MILL

## FEATURES

- Thick steel plated machine body for maximum endurance and rigidity
- Rolls placed in bearings that is specially designed for heavy duty
- Adjustable grain size
- Easy to adapt to automation systems
- Easy to operate and compact design
- Automatic roller ball settings
- Quality and proven performance
- Sample hatch
- Energy savings up to 60%
- Quiet operation
- Homogeneous grain size
- Optional full automation
- Differential belt drive
- A wide range of capacities
- Robust and long life span
- Spare parts support and customer service



LIVESTOCK



POULTRY



FISH



PETS



FOOD

 **YEMMAK**

## ROLLER MILL

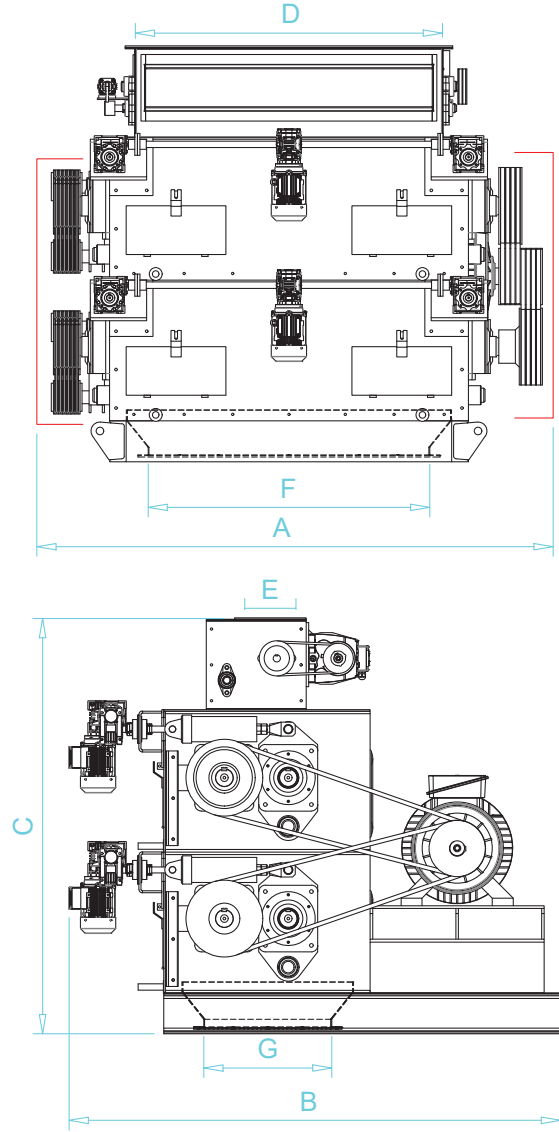
In a roller mill, the grinding is done with oppositely rotating steel rollers. High quality rolls are processed with grinding and casted with spinning technique. The surface hardness of the rolls are 500-550 Brinell, and 20mm hardening depth ensures recurrently rethreading, and for this reason, a long life span.

There are 2 couples, that is to say, 4 balls in a roller mill. Roller couples can be placed in the machine body as vertical, horizontal or diagonally in 45 degrees angle. Rolls are protected from impacts and shocks, that are made by foreign bodies, with the springs. "V" belt impulsion ensures a quiet and maintenance free operation.

Depending upon the cylindrical shape, the diameter and length sizes of the rolls vary by the grinding system of the mill and the diagram.

## AREAS OF USAGE

- Compound feed mills
- Food, flour and semolina production facilities



MODEL	DIMENSIONS (mm)							DRUM MOTOR (kW)	MAIN MOTOR (kW)
	A	B	C	D	E	F	G		
RMS 250/1000	1700	2000	1075	950	200	850	500	1,5	18,5
RMS 250/1800	2450	2000	1075	1750	200	1650	500	1,5	30
RMD 250/800	1500	2000	1625	750	200	650	500	1,1	37
RMD 250/1000	1700	2000	1625	950	200	850	500	1,5	45
RMD 250/1250	1950	2000	1625	1200	200	1100	500	1,5	55
RMD 250/1500	2200	2000	1625	1450	200	1350	500	1,5	75
RMD 250/1800	2600	2000	1625	1750	200	1650	500	2,2	110
RMD 300/1250	1950	2100	1725	1200	200	1100	500	1,5	75
RMD 300/1500	2200	2100	1725	1450	200	1350	500	1,5	75
RMD 300/1800	2600	2100	1725	1750	200	1650	500	3	110
RMT 300/1250	1950	2100	2325	1200	200	1100	500	1,5	75+45

RMS:Single Deck , RMD: Double Deck , RMT: Triple Deck

600 Evler Mah. Balıkesir Asf. Sol Taraf No:96, 10201 Bandırma / Balıkesir

P: +90 266 733 83 63 (3 Lines) • F: +90 266 733 83 66

[f](#) [in](#) [@](#) [v](#) | [yemmak.com](http://yemmak.com)

